

Grinnell Mechanical Products Figure 760P “Y” Strainer (Europe, Asia, Middle East, and Africa Only)

General Description

The Figure 760P “Y” Strainer provides economical strainer protection for piping equipment such as pumps, meters, valves, compressors, traps and similar equipment, from debris and foreign matter.

This Strainer features a 304 Stainless Steel screen that is secured with an end cap and a mechanical coupling. Cleaning and maintenance of the screen can be accomplished easily by removing the coupling. The Figure 760P Strainer is suitable for vertical and horizontal installation.

NOTICE

The Figure 760P “Y” Strainer described herein must be installed and maintained in compliance with this document, in addition to the standards of any other authorities having jurisdiction. Failure to do so may impair the performance of this device.

Never remove any piping component or correct or modify any piping deficiencies without first depressurizing and draining the system. Material and gasket selection should be verified to be compatible for the specific application.

It is the designer’s responsibility to select products suitable for the intended service and to ensure that pressure ratings and performance data are not exceeded. Always read and understand the installation instructions (IH-1000).

The owner is responsible for maintaining their system and devices in proper operating condition. Contact the installing contractor or product manufacturer with any questions.

Technical Data

Approvals

UL and C-UL Listed

Sizes

2 to 12 Inch (DN65 to DN300)

Maximum Working Pressure

300 psi (20 bar)

Temperature Range

32° to 200°F (0° to 100°C)

Body and Cover

ASTM A-536, Grade 65-45-12

Screen

AISI 304

Perforations

Refer to Figures 1 and 2

Coating

Fusion bonded Epoxy Coating in accordance with ANSI/AWWA C550 or painting upon request

Ordering Procedure

Grinnell Mechanical Products, are available through a network of distribution centers. For the nearest distributor, visit www.grinnell.com.

When placing an order, indicate the full product name. Please specify the quantity, figure number, and size.



For fire protection pressure rating, listing and approval information, contact your Grinnell representative.



For warranty terms and conditions, visit www.grinnell.com

No.	Description	Material	Nominal Size		Nominal Dimensions Inches mm			Screen Perforation Detail	Drain Plug Size Inch NPT	
			ANSI Inches DN	OD Inches mm	Ød	A	B			L
1	Valve Body	ASTM A536, 65-45-12								
2	Screen	AISI 304								
3	Rigid Coupling	ASTM A536, 65-45-12								
4	Cap	ASTM A536, 65-45-12								
5	Plug	Malleable Iron Galvanized or Bronze ASTM B564								
			2 50	2.375 60,3	2.25 57,2	0.63 15,9	0.31 7,9	9.74 247,5	Figure 2A	1/2
			2-1/2 65	2.875 73,0	2.72 69,1	0.63 15,9	0.31 7,9	10.75 273,0		
			76,1mm 65	3.000 76,1	2.72 69,1	0.63 15,9	0.31 7,9	10.75 273,0	Figure 2B	1
			3 80	3.500 88,9	3.34 84,9	0.63 15,9	0.31 7,9	11.75 298,5		
			4 100	4.500 114,3	4.33 110,1	0.63 15,9	0.37 9,6	14.25 362,0	Figure 2C	1
			139,7mm 125	5.500 139,7	5.39 137,0	0.63 15,9	0.37 9,6	16.50 419,0		
			5 125	5.563 141,3	5.39 137,0	0.63 15,9	0.37 9,6	16.50 419,0	Figure 2D	1
			165,1mm 150	6.500 165,1	6.46 164,0	0.63 15,9	0.37 9,6	18.50 470,0		
			6 150	6.625 168,3	6.46 164,0	0.63 15,9	0.37 9,6	18.50 470,0	Figure 2D	1
			8 200	8.625 219,1	8.44 214,4	0.75 19,1	0.44 11,1	24.00 609,5		
			10 250	10.750 273,1	10.56 268,3	0.75 19,1	0.50 12,7	27.00 686,0	Figure 2D	1
			12 300	12.750 323,9	12.53 318,3	0.75 19,1	0.50 12,7	30 762,0		

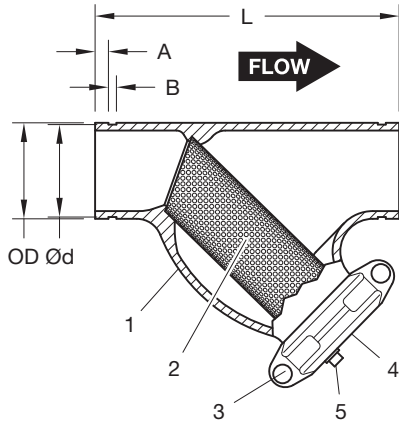
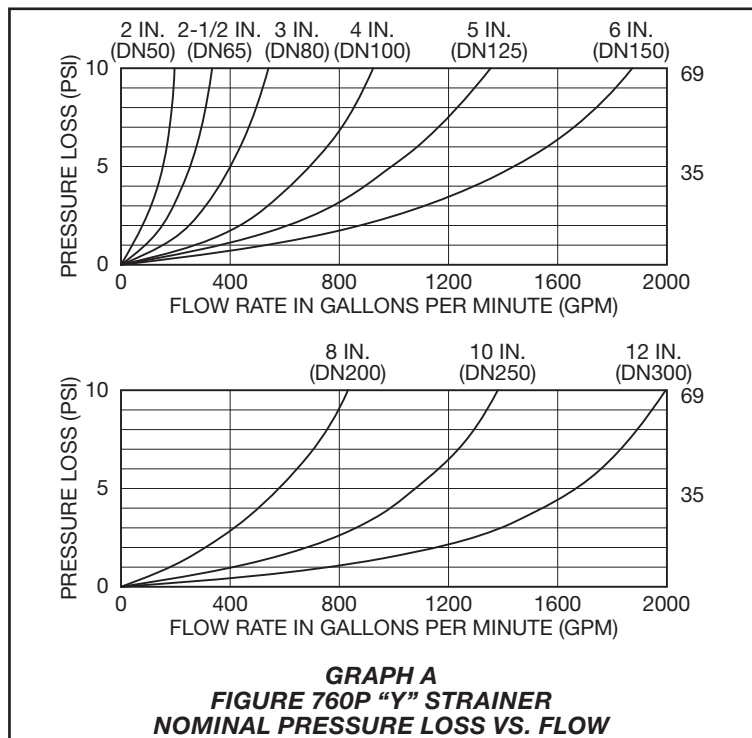


FIGURE 1
FIGURE 760P "Y" STRAINER
ASSEMBLY AND DIMENSIONS

<p>2A 2-2-1/2 IN. (DN50-DN65) Strainers: 0.16" (4,0 mm) Dia. Holes 24 Holes Sq. In. 48% Open Area</p>	
<p>2B 3-4 IN. (DN80-DN100) Strainers: 0.20" (5,0 mm) Dia. Holes 17 Holes Sq. In. 53% Open Area</p>	
<p>2C 5 IN. (DN125) Strainer: 0.24" (6,0 mm) Dia. Holes 13 Holes Sq. In. 58% Open Area</p>	
<p>2D 6-12 IN. (DN150-DN300) Strainers: 0.25" (6,3 mm) Dia. Holes 11 Holes Sq. In. 56% Open Area</p>	

FIGURE 2
FIGURE 760P "Y" STRAINER
SCREEN PERFORATIONS



GRAPH A
FIGURE 760P "Y" STRAINER
NOMINAL PRESSURE LOSS VS. FLOW